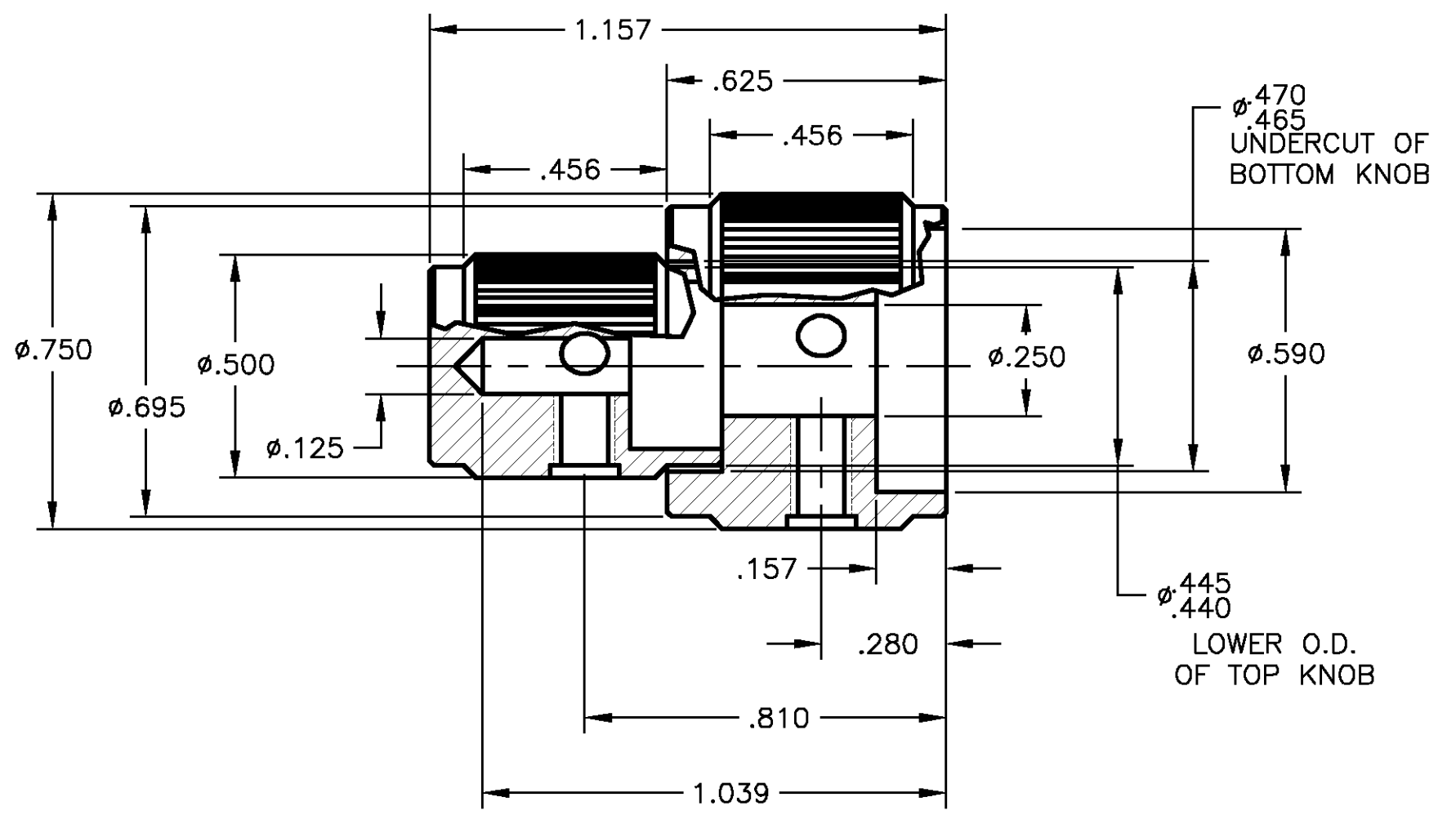
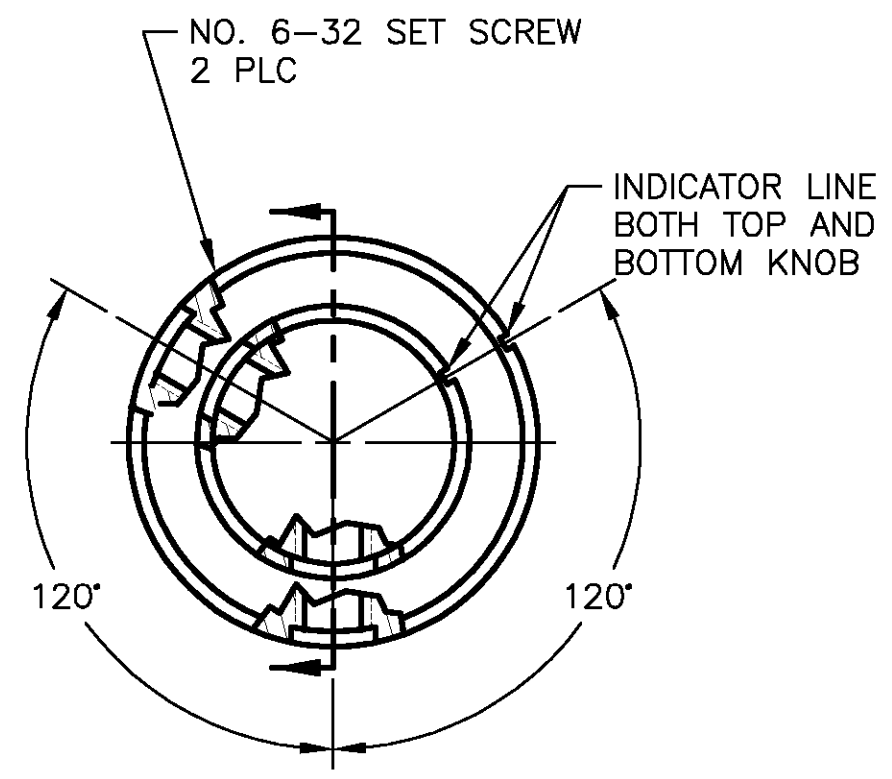


| | | | | | | | |
|-----|------|-----------|-----|------------------------|---------|-----|------|
| LOC | DIST | REVISIONS | | | | | |
| AD | 00 | P | LTR | DESCRIPTION | DATE | DWN | APVD |
| | | | A | REV PER EC OG3C-340-02 | 03DEC02 | MB | MZ |



- 1 KNOB: ALUMINUM; SET SCREWS: STAINLESS STEEL
- 2 FINISH: ANODIZED - SEE TABLE
- 3. WAS DRAWING NUMBER 80257

| | | | |
|----------------|---------|--------------|-------------|
| WHITE LACQUER | BLACK | KN5700B1/4 | 5-1437622-7 |
| BLACK LACQUER | NATURAL | KN5700A1/4 | 5-1437622-6 |
| INDICATOR LINE | FINISH | MODEL NUMBER | PART NUMBER |
| | 2 COLOR | | |

| | | | | | |
|--|--------|------------------|---------|--|-----------|
| THIS DRAWING IS A CONTROLLED DOCUMENT. | | DWN M.BINNER | 03DEC02 | Tyco Electronics Corporation Harrisburg, PA 17105 | |
| DIMENSIONS: INCHES | | CHK M.ZITTO | - | NAME | |
| | | APVD M.ZITTO | - | KNOB, STRAIGHT KNURL HAIRLINE INDICATOR (KN-5700) | |
| TOLERANCES UNLESS OTHERWISE SPECIFIED: | | PRODUCT SPEC | - | SIZE | CAGE CODE |
| 0 PLC | ± - | APPLICATION SPEC | - | A3 | 00779 |
| 1 PLC | ± - | WEIGHT | - | DRAWING NO | |
| 2 PLC | ± - | CUSTOMER DRAWING | - | 5-1437622-6 | |
| 3 PLC | ± .008 | SCALE | 3:1 | SHEET | 1 OF 1 |
| 4 PLC | ± - | RESTRICTED TO | - | REV | A |
| ANGLES | ± - | | | | |
| MATERIAL | 1 | | | | |
| FINISH | 2 | | | | |